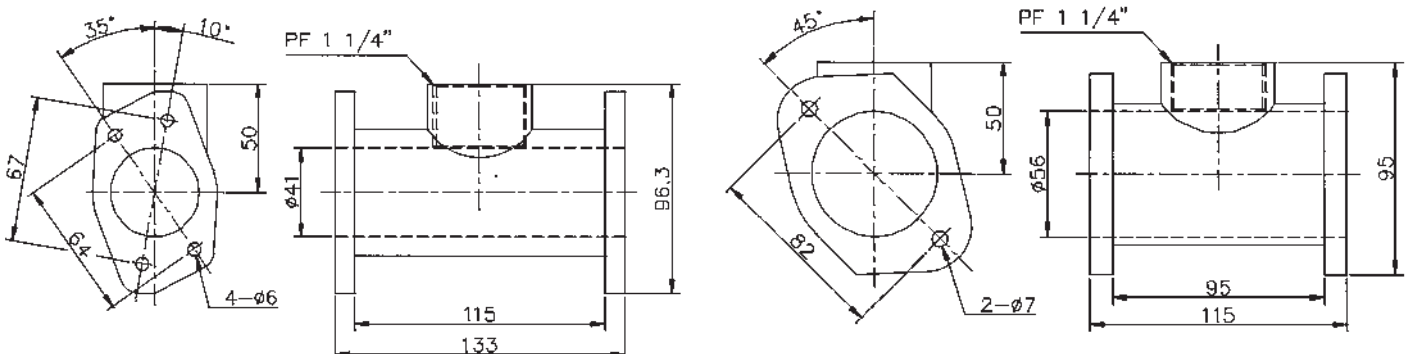


T-angle, pressure/vacuum valve

Accessories for side channel blowers

T-angle for pressure- & vacuum relief valve

Type	Thread (BPST)	For model	Material
TB01	1 1/4"	KB-2..., KB3...	Aluminum
TB02	1 1/4"	KB-4..., KB5..., KB6...	Aluminum



Pressure and vacuum relief valve 2 in 1 model

The Klee safety valve is both a pressure relief and vacuum limiting valve that protects the fan and ensures optimum efficiency.

The safety valve opens and releases the excess pressure or restricting the vacuum by drawing air from the outside.

