

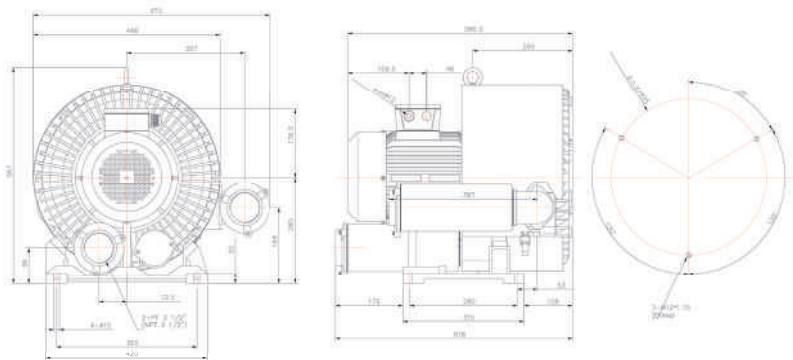
Specifications type KB 83..

Double-stage (side channel blowers)

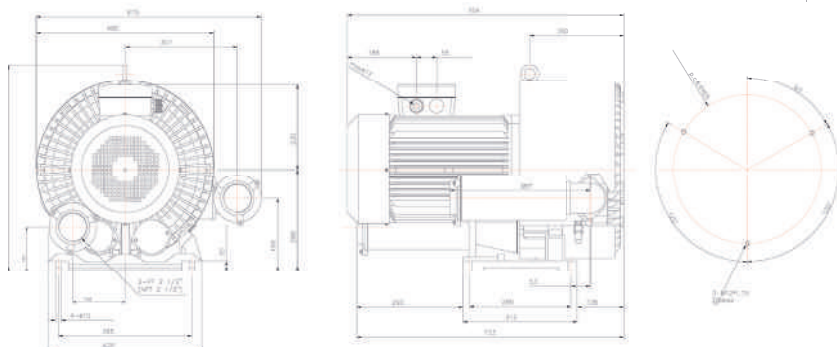
- NSK bearings with high temperature grease
- CE, UL and CSA approved
- All units are QC inspected by Klee
- Built-in bi-metal switch for 1-phase models
- Available with 3-phase IE2/IE3 motor



Type no.		KB-8310	KB-8315	KB-8320
Phases		3	3	3
Output kW	50 Hz	7.5	11	16
	60 Hz	8.6	13	19
Voltage Volt	50 Hz	400/690	400/690	400/690
	60 Hz	480/828	480/828	480/828
Current Amp	50 Hz	15.1/8.7	27/15.6	34.5/20.0
	60 Hz	19.1/11.0	30/17.3	39.0/22.6
Vacuum mbar	50 Hz	320	430	450
	60 Hz	320	455	650
Pressure mbar	50 Hz	320	600	700
	60 Hz	320	600	780
Airflow m³/min	50 Hz	9.6	9.6	9.6
	60 Hz	10.9	10.9	10.9
Insulation class		H	H	H
Weight Kg		112	142	160



Type KB-8310.



Type KB-8315 and Type KB-8320.