

Specifications type KB 4..

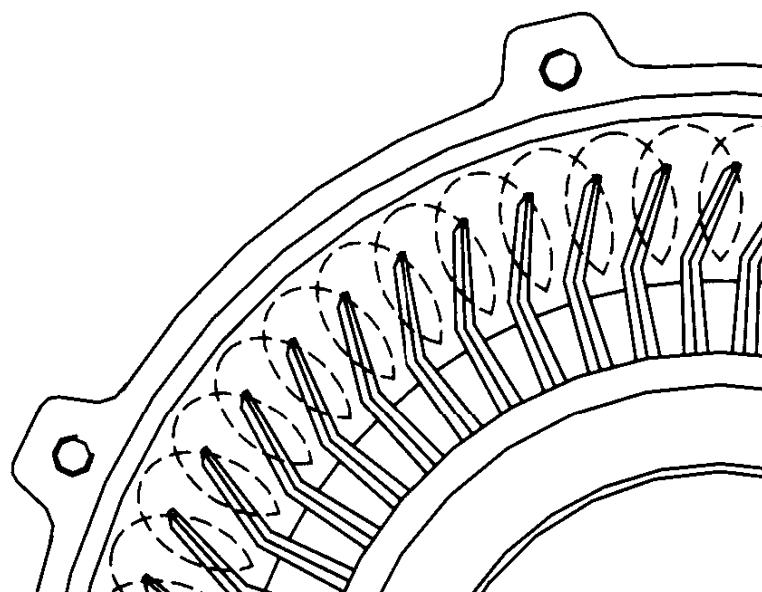
Single-stage (side channel blowers)

- NSK bearings with high temperature grease
- CE, UL and CSA approved
- All units are QC inspected by Klee
- Built-in bi-metal switch for 1-phase models
- Available with 3-phase IE2/IE3 motor



Type no.		KB-429	KB-429-1	KB-429L	KB-429L-1	KB-429HF
Phases		3	1	3	1	3
Output kW	50 Hz	1.3	1.3	1.3	1.3	1.3
	60 Hz	1.5	1.5	1.5	1.5	1.5
Voltage Volt	50 Hz	230/400	230	230/400	230	230/400
	60 Hz	276/480	230	276/480	230	276/480
Current Amp	50 Hz	5.7/3.3	10	5.7/3.3	10	5.7/3.3
	60 Hz	6.0/3.5	11	6.0/3.5	11	6.0/3.5
Vacuum mbar	50 Hz	180	180	180	180	180
	60 Hz	180	180	180	180	180
Pressure mbar	50 Hz	180	180	180	180	180
	60 Hz	180	180	180	180	180
Airflow m ³ /min	50 Hz	3.6	3.6	3.6	3.6	4.40
	60 Hz	4.2	4.2	4.2	4.2	5.25
Insulation class		F	F	F	F	F
L1		126	126	167.5	167.5	167.5
L2		320	320	361.5	361.5	361.5
Weight Kg		22	22.5	22.5	22.5	22.8

Continues on the next page.



Continued type KB 4.. (single-stage side channel blowers).

Type no.		KB-429-1	KB-429	KB-429L	KB-429	KB-429HF	KB-429HF
Phases		1	3	3	3	3	3
Output kW	50 Hz	1.5	1.75	1.75	2.2	1.75	2.2
	60 Hz	1.75	1.9	1.9	2.6	1.9	2.6
Voltage Volt	50 Hz	230	230/400	230/400	230/400	230/400	230/400
	60 Hz	230	276/480	276/480	276/480	276/480	276/480
Current Amp	50 Hz	11,5	6.7/3.9	6.7/3.9	7.8/4.5	6.7/3.9	7.8/4.5
	60 Hz	12	7/4	7/4	9.5/5.5	7/4	9.5/5.5
Vacuum mbar	50 Hz	210	210	210	220	210	220
	60 Hz	210	210	210	255	210	255
Pressure mbar	50 Hz	220	220	220	270	220	270
	60 Hz	220	220	220	300	220	300
Airflow m³/min	50 Hz	3.6	3.6	3.6	3.6	4.40	4.40
	60 Hz	4.2	4.2	4.2	4.2	5.25	5.25
Insulation class		F	F	F	F	F	F
L1		126	126	167.5	126	126	126
L2		320	320	361.5	320	320	320
Weight Kg		23	23	23.5	26	26.3	26.3

