

60 Hz

KB-series 60 Hz

Overview (single- og double-stage)

- Single-stage side channel blower with max. air flow of 1344 m³/h and max. air pressure of 430 mbar.
- Double-stage side channel blower (high pressure) with max. air flow of 654 m³/h max. air pressure of 780 mbar.
- Double-stage side channel blower (large flow) with max. air flow of 990 m³/h and max. air pressure of 270 mbar.

Type	Curve no.	Output [kW]	Voltage star/delta [V]	Maximum airflow [m ³ /min]	Safety limit Vacuum / pressure [mbar]	Noise level [dB]	Vacuum / pressure valve PVC/ALU	
Single-stage								
KB-129 KB-129-1	22S 22F	0.25 0.25	3x 276/480 (1 x 276) (different voltage on request)	1.0 1.0	75/80 75/80	55 55	RV-03 RV-03	RVA-03 RVA-03
KB-229 KB-229-1 KB-229L KB-229L1	31S 31S 32S 32S	0.5 0.5 0.5 0.5		1.7 1.7 1.7 1.7	140/170 140/170 140/170 140/170	61 61 61 61	RV-03 RV-03 RV-03 RV-03	RVA-03 RVA-03 RVA-03 RVA-03
KB-329 KB-319-1 KB-329L KB-329L-1 KB-329 KB-339	41S 41S 42S 42S 43S 44S	0.85 0.85 0.85 1.1 1.5		2.9 2.9 2.9 2.9 2.9	140/140 140/140 140/140 180/180 205/230	64 64 64 64 64	RV-03 RV-03 RV-03 RV-03 RV-03	RVA-03 RVA-03 RVA-03 RVA-03 RVA-03
KB-429 KB-429L KB-429-1 KB-429-1 KB-429 KB-429L KB-429	52S 52S 52S 53S 54S 54S 55S	1.5 1.5 1.5 1.75 1.9 1.9 2.6		4.2 4.2 4.2 4.2 4.2 4.2 4.2	180/180 180/180 180/180 210/220 210/220 210/220 220/270	73 73 73 73 73 73 73	RV-03 RV-03 RV-03 RV-03 RV-03 RV-03 RV-03	RVA-03 RVA-03 RVA-03 RVA-03 RVA-03 RVA-03 RVA-03
KB-429HF KB-429HF KB-429HF	56HF 57HF 58HF	1.5 1.9 2.6		5.25 5.25 5.25	180/180 230/220 255/300	73 73 73	RV-03 RV-03 RV-03	RVA-03 RVA-03 RVA-03
KB-529 KB-529-1 KB-529L KB-629 KB-629-1 KB-629L KB-639	61S 61S 61S 62S 62S 62S 63S	2.6 2.6 2.6 3.7 3.7 3.7 4.6		6.2 6.2 6.2 6.2 6.2 6.2	220/220 220/220 220/220 280/280 280/280 280/280 315/320	77 77 77 77 77 77	ATV-20 ATV-20 RV-03 RV-03 RV-03 RV-03	ATV-20 ATV-20 RVA-03 RVA-03 RVA-03 RVA-03
KB-529HF KB-629HF KB-639HF	61HF 62HF 63HF	2.6 3.7 4.6		8.3 8.3 8.3	220/250 280/280 315/320	77 77 77	RV-03 RV-03 RV-03	RVA-03 RVA-03 RVA-03
KB-729 KB-829	81S 82S	6.3 8.6		10.9 10.9	290/290 350/400	79 79	--- ---	ATV-25 ATV-25*
KB-919 KB-929 KB-939	91S 92S 93S	11 15 22		22.4 22.4 22.4	190/190 290/290 370/430	81 81 81	--- --- ---	ATV-25 ATV-25 ATV-25*

* With special spring > 350 mbar

60 Hz



Type	Curve no.	Output [kW]	Voltage star/delta [V]	Maximum airflow [m³/min]	Safety limit Vacuum / pressure [mbar]	Noise level [dB]	Vacuum / pressure valve PVC/ALU
Double-stage							
KB-2308	101S	0.85	3 x 276/480 or (3 x 480/-) (different voltage on request)	1.8	245/245	66	RV-03 RVA-03
KB-3315	110S	1.5		3.0	225/250	69	RV-03 RVA-03
KB-3319	111S	1.9		3.0	300/300	69	RV-03 RVA-03
KB-3326	112S	2.6		3.0	350/435	69	RV-36 RVA-36
KB-4337	121S	3.7	3 x 276/480 or (3 x 480/-) (different voltage on request)	4.5	405/415	77	RV-36 RVA-36
KB-4346	122S	4.6		4.5	410/500	77	RV-36 RVA-36
KB-6346	131S	4.6	3 x 276/480 or (3 x 480/-) (different voltage on request)	6.2	380/380	79	2xRV-36 RVA-36
KB-6355	132S	6.3		6.2	425/530	79	2xRV-36 2xRVA-36
KB-6375	133S	8.6		6.2	450/675	79	2xRV-36 2xRVA-36*
KB-6455	142S	6.3	3 x 276/480 or (3 x 480/-) (different voltage on request)	9.2	200/220	79	RV-36 RV-36
KB-6475	143S	8.6		9.2	260/270	79	RVA-36 RVA-36
KB-8310	151S	8.6	3 x 276/480 or (3 x 480/-) (different voltage on request)	10.9	320/320	81	-- -- 2xATV-25
KB-8315	152S	13		10.9	455/600	81	-- -- 2xATV-25**
KB-8320	153S	19		10.9	650/780	81	-- -- -
KB-8415	162S	13		16.5	260/260	81	-- -- 2xATV-25

Colour code • dark grey: 3 phase / Colour code • orange: 1 phase

The technical data is based on 1 bar (abs) free atmosphere and 20 °C with inlet air density 1.2 kg/m³, incl. 10% variance. All rights reserved for technical specification changes without prior approval from any source outside Brd. Klee, when considered necessary based on our research and development.

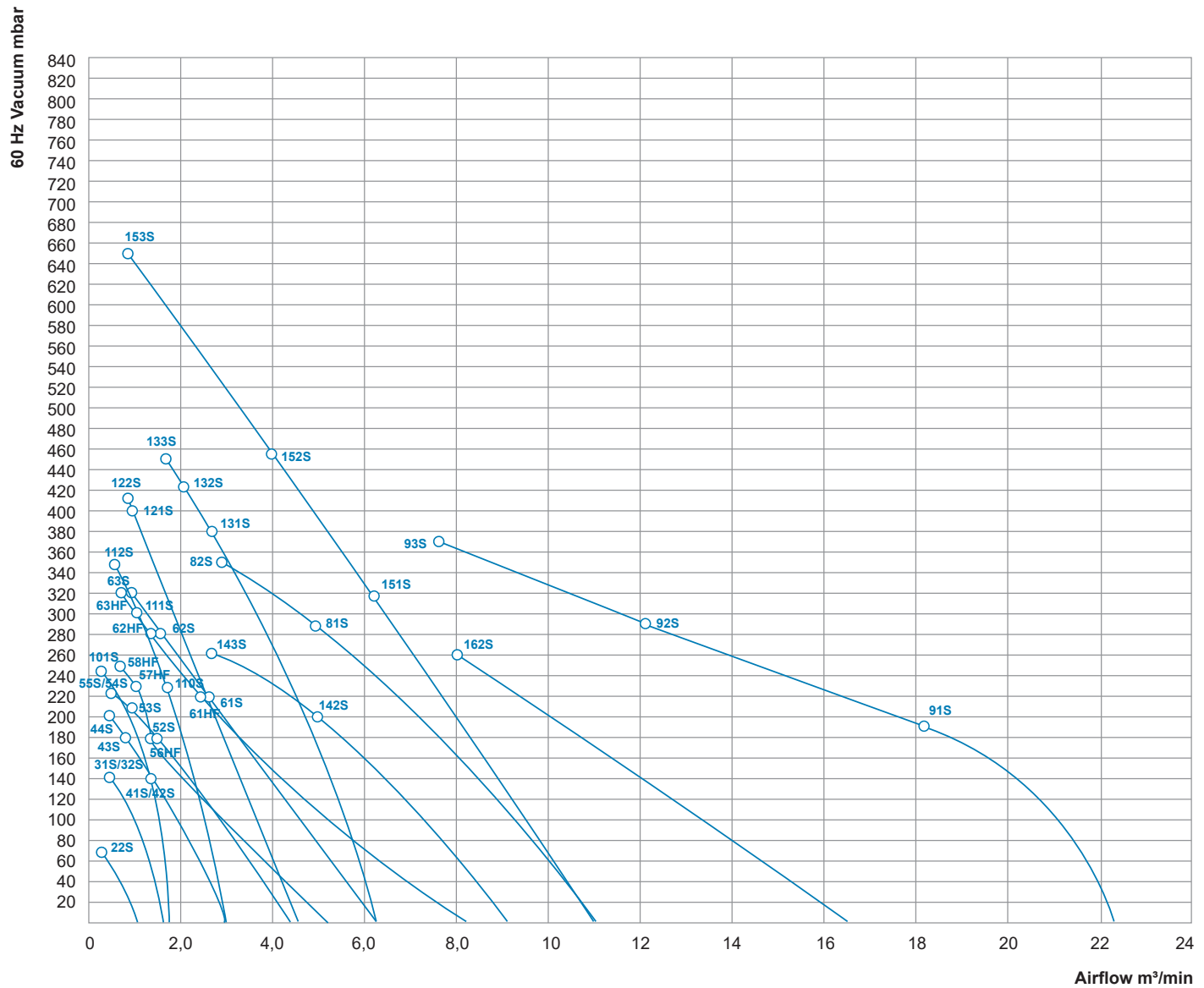
It is recommended to use a pressure/vacuum safety valve to protect the fan from overheating and exceeding the permissible pressure/vacuum. Please see page 54-55 for further information. Bi-metal switch is standard on motors from 5.5 kW and all 1-phase models.

* Cannot be used at "Pressure" max. setting is 600 mbar.

** With special spring > 350 mbar

Vacuum diagram

KB-series 60 Hz

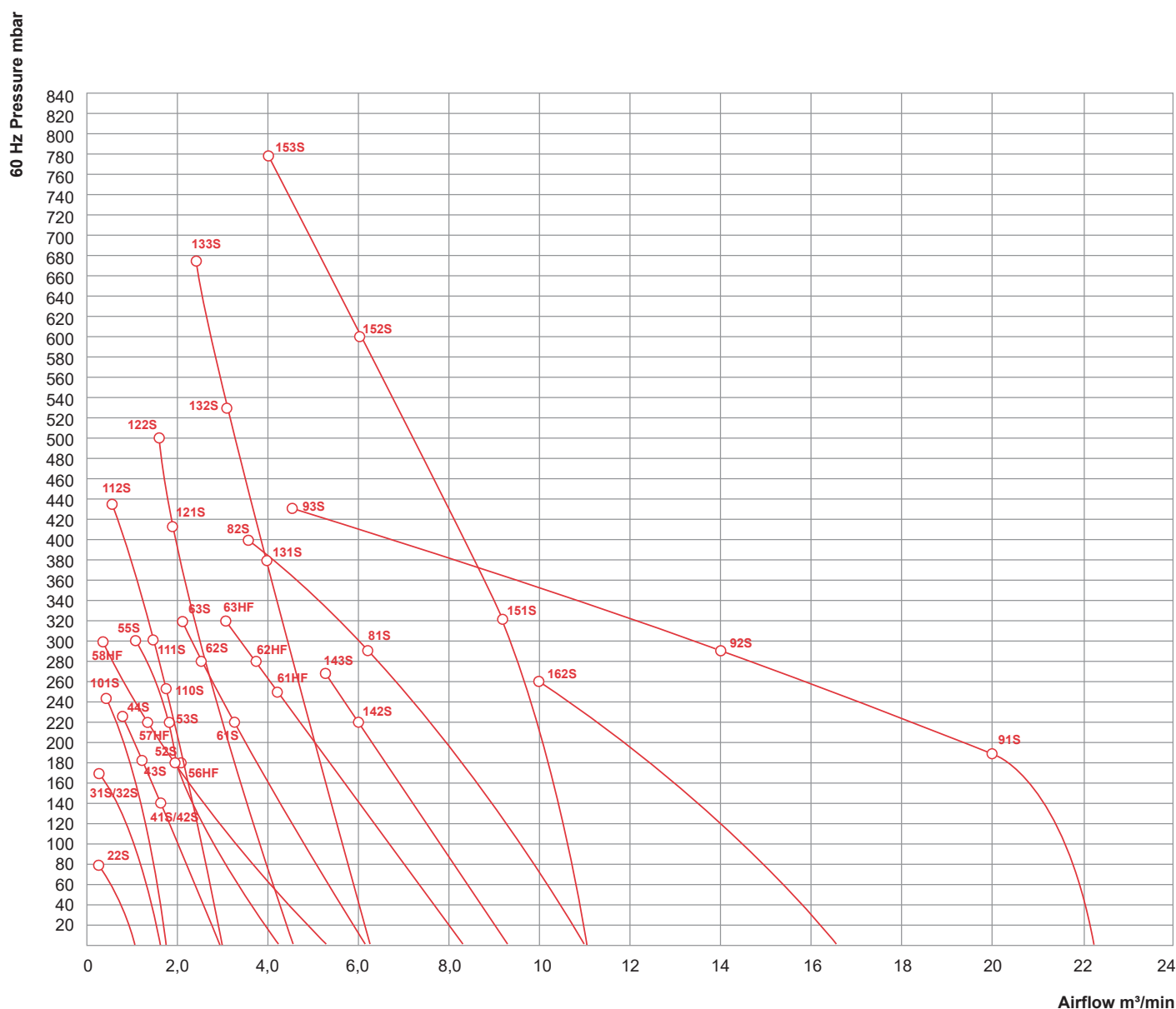


The technical data is based on 1 bar (abs) free atmosphere and 20 °C with inlet air density 1.2 kg/m³, incl. 10% variance. All rights reserved for technical specification changes without prior approval from any source outside Brd. Klee, when considered necessary based on our research and development.

It is recommended to use a pressure/vacuum safety valve to protect the fan from overheating and exceeding the permissible pressure/vacuum. Please see page 54-55 for further information. Bi-metal switch is standard on motors from 5.5 kW and all 1-phase models.

Pressure diagram

KB-series 60 Hz



The technical data is based on 1 bar (abs) free atmosphere and 20 °C with inlet air density 1.2 kg/m³, incl. 10% variance. All rights reserved for technical specification changes without prior approval from any source outside Brd. Klee, when considered necessary based on our research and development.

It is recommended to use a pressure/vacuum safety valve to protect the fan from overheating and exceeding the permissible pressure/vacuum. Please see page 54-55 for further information. Bi-metal switch is standard on motors from 5.5 kW and all 1-phase models.

Technical data “vacuum”

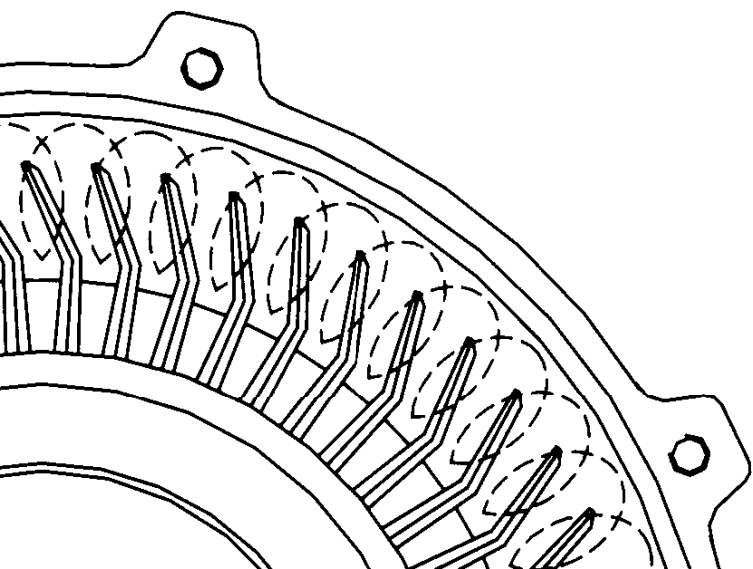
KB-series 60 Hz single-stage

Models		Single-stage vacuum										
Series 1	mbar	0	10	20	30	40	50	60	70	75	80	90
KB-129 0.25 kW	m ³ /min	1.0	0.92	0.85	0.8	0.7	0.62	0.47	0.28	0.15	-	-
KB-129-1 0.25 kW	m ³ /min	1.0	0.92	0.85	0.8	0.7	0.62	0.47	0.28	0.15	-	-
Series 2	mbar	0	20	40	60	80	100	110	120	130	140	150
KB-229 0.5 kW	m ³ /min	1.7	1.5	1.25	1.07	0.85	0.7	0.57	0.5	0.32	0.25	-
KB-229-1 0.5 kW		1.7	1.5	1.25	1.07	0.85	0.7	0.57	0.5	0.32	0.25	-
KB-229L 0.5 kW		1.7	1.5	1.25	1.07	0.85	0.7	0.57	0.5	0.32	0.25	-
KB-229L-1 0.5 kW		1.7	1.5	1.25	1.07	0.85	0.7	0.57	0.5	0.32	0.25	-
Series 3	mbar	0	20	40	60	80	100	120	140	160	180	205
KB-329 0.85 kW	m ³ /min	2.9	2.7	2.5	2.2	2.0	1.8	1.65	1.4	-	-	-
KB-329-1 0.85 kW		2.9	2.7	2.5	2.2	2.0	1.8	1.65	1.4	-	-	-
KB-329L 0.85 kW		2.9	2.7	2.5	2.2	2.0	1.8	1.65	1.4	-	-	-
KB-329L-1 0.85 kW		2.9	2.7	2.5	2.2	2.0	1.8	1.65	1.4	-	-	-
KB-329 1.1 kW		2.9	2.7	2.5	2.2	2.0	1.8	1.65	1.4	1.2	0.85	-
KB-339 1.5 kW		2.9	2.7	2.5	2.2	2.0	1.8	1.65	1.4	1.2	0.85	0.55
Series 4	mbar	0	25	50	75	100	140	180	210	230	255	280
KB-429 1.5 kW	m ³ /min	4.2	3.85	3.7	3.3	3.0	2.2	1.65	-	-	-	-
KB-429L 1.5 kW		4.2	3.85	3.7	3.3	3.0	2.2	1.65	-	-	-	-
KB-429-1 1.5 kW		4.2	3.85	3.7	3.3	3.0	2.2	1.65	-	-	-	-
KB-429-1 1.75 kW		4.2	3.85	3.7	3.3	3.0	2.2	1.65	1.25	-	-	-
KB-429 1.9 kW		4.2	3.85	3.7	3.3	3.0	2.2	1.65	1.25	-	-	-
KB-429L 1.9 kW		4.2	3.85	3.7	3.3	3.0	2.2	1.65	1.25	-	-	-
KB-429 2.6 kW		4.2	3.85	3.7	3.3	3.0	2.2	1.65	1.2t	0.83	0.57	-
Series 4 HF	mbar	0	25	50	75	100	140	180	210	230	255	280
KB-429 1.5 kW HF	m ³ /min	5.25	5.00	4.58	3.92	3.50	2.33	1.67	-	-	-	-
KB-429 1.75 kW HF		5.25	5.00	4.58	3.92	3.50	2.33	1.67	1.33	1.00	-	-
KB-429 2.6 kW HF		5.25	5.00	4.58	3.92	3.50	2.33	1.67	1.33	1.00	0.67	-

Technical data “vacuum”

KB-series 60 Hz single-stage

Models		Single-stage vacuum (continued)										
Series 5 & 6	mbar	0	50	100	130	160	180	200	220	250	280	315
KB-529 2.6 kW	m ³ /min	6.2	5.8	5.4	4.9	4.4	4.0	3.5	2.9	-	-	-
KB-529-1 2.6 kW		6.2	5.8	5.4	4.9	4.4	4.0	3.5	2.9	-	-	-
KB-529L 2.6 kW		6.2	5.8	5.4	4.9	4.4	4.0	3.5	2.9	-	-	-
KB-629 3.7 kW		6.2	5.8	5.4	4.9	4.4	4.0	3.5	2.9	2.0	1.55	-
KB-629-1 3.7 kW		6.2	5.8	5.4	4.9	4.4	4.0	3.5	2.9	2.0	1.55	-
KB-629L 3.7 kW		6.2	5.8	5.4	4.9	4.4	4.0	3.5	2.9	2.0	1.55	-
KB-639 4.6 kW		6.2	5.8	5.4	4.9	4.4	4.0	3.5	2.9	2.0	1.55	0.95
Series 5 & 6 HF	mbar	0	50	100	130	160	180	200	220	250	280	315
KB-529 2.6 kW HF	m ³ /min	8.3	7.2	6.3	5.0	4.5	3.7	3.0	2.50	-	-	-
KB-629 3.7 kW HF		8.3	7.2	6.3	5.0	4.5	3.7	3.0	2.50	1.83	1.33	-
KB-639 4.6 kW HF		8.3	7.2	6.3	5.0	4.5	3.7	3.0	2.50	1.83	1.33	0.83
Series 7 & 8	mbar	0	50	100	130	160	180	200	250	290	320	350
KB-729 6.3 kW	m ³ /min	10.9	10.7	9.7	9.2	8.8	8.2	7.85	6.5	5.15	-	-
KB-829 8.6 kW		10.9	10.7	9.7	9.2	8.8	8.2	7.85	6.5	5.15	4.1	2.7
Series 9	mbar	0	50	100	150	190	230	260	290	320	350	370
KB-919 11.0 kW	m ³ /min	22.4	21.8	21.2	20.0	18.2	-	-	-	-	-	-
KB-929 15.0 kW		22.4	21.8	21.2	20.0	18.2	16.3	14.0	12.1	-	-	-
KB-939 23.0 kW		22.4	21.8	21.2	20.0	18.2	16.3	14.0	12.1	9.8	8.5	7.4



Technical data “vacuum”

KB-series 60 Hz double-stage

Models		Double-stage vacuum										
Series 23	mbar	0	25	50	75	100	125	150	175	200	220	245
KB-2308 0.85 kW	m ³ /min	1.8	1.7	1.51	1.38	1.25	1.07	0.9	0.78	0.63	0.46	0.28
Series 33	mbar	0	50	100	150	200	220	225	275	300	325	350
KB-3315 1.9 kW	m ³ /min	3.0	2.9	2.4	2.0	1.65	1.35	1.2	-	-	-	-
KB-3319 1.9 kW		3.0	2.9	2.4	2.0	1.65	1.35	1.2	0.91	0.8	-	-
KB-3326 2.6 kW		3.0	2.9	2.4	2.0	1.65	1.35	1.2	0.91	0.8	0.65	0.47
Series 43	mbar	0	50	100	150	200	250	275	300	350	405	410
KB-4337 3.7 kW	m ³ /min	4.5	4.15	3.9	3.3	2.8	2.0	1.8	1.62	1.18	0.78	-
KB-4346 4.6 kW		4.5	4.15	3.9	3.3	2.8	2.0	1.8	1.62	1.18	0.78	0.75
Series 63	mbar	0	50	100	200	250	300	350	380	400	425	450
KB-6346 4.6 kW	m ³ /min	6.2	6.05	5.9	5.2	4.8	4.05	3.3	2.8	-	-	-
KB-6355 6.3 kW		6.2	6.05	5.9	5.2	4.8	4.05	3.3	2.8	2.5	2.0	-
KB-6375 8.6 kW		6.2	6.05	5.9	5.2	4.8	4.05	3.3	2.8	2.5	2.0	1.8
Series 64	mbar	0	50	100	120	140	160	180	200	220	240	260
KB-6455 6.3 kW	m ³ /min	9.2	8.5	7.7	7.15	6.8	6.2	5.6	5.0	-	-	-
KB-6475 8.6 kW		9.2	8.5	7.7	7.15	6.8	6.2	5.6	5.0	4.4	3.65	2.6
Series 83	mbar	0	75	150	200	320	400	455	500	550	600	650
KB-8310 8.6 kW	m ³ /min	10.9	9.8	8.8	8.35	6.5	-	-	-	-	-	-
KB-8315 13.0 kW		10.9	9.8	8.8	8.35	6.5	5.2	3.9	-	-	-	-
KB-8320 19.0 kW		10.9	9.8	8.8	8.35	6.5	5.2	3.9	3.0	1.8	1.25	0.8
Series 84	mbar	0	25	50	75	100	125	150	175	200	230	260
KB-8415 13.0 kW	m ³ /min	16.5	16.2	15.9	14.9	13.7	13.0	11.9	10.8	9.8	8.8	8.0

Pressure **60 Hz**

Technical data “pressure”

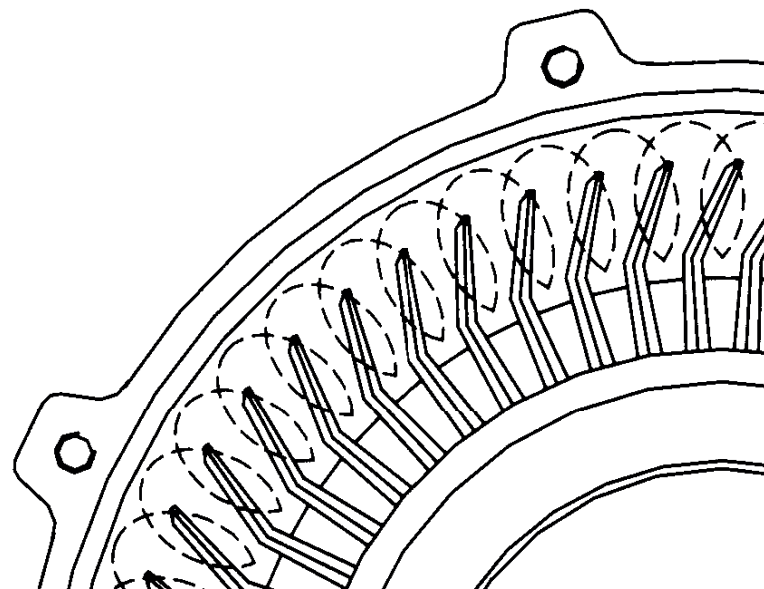
KB-series 60 Hz single-stage

Models		Single-stage pressure										
Series 1	mbar	0	10	20	30	40	50	60	70	80	90	100
KB-129 0.25 kW	m ³ /min	1.0	0.95	0.9	0.85	0.75	0.68	0.51	0.4	0.2	-	-
KB-129-1 0.25 kW	m ³ /min	1.0	0.95	0.9	0.85	0.75	0.68	0.51	0.4	0.2	-	-
Series 2	mbar	0	20	40	60	80	100	120	140	160	170	180
KB-229 0.5 kW	m ³ /min	1.7	1.6	1.5	1.13	1.0	0.87	0.75	0.55	0.42	0.3	-
KB-229-1 0.5 kW		1.7	1.6	1.5	1.13	1.0	0.87	0.75	0.55	0.42	0.3	-
KB-229L 0.5 kW		1.7	1.6	1.5	1.13	1.0	0.87	0.75	0.55	0.42	0.3	-
KB-229L-1 0.5 kW		1.7	1.6	1.5	1.13	1.0	0.87	0.75	0.55	0.42	0.3	-
Series 3	mbar	0	30	60	80	100	120	140	160	180	200	230
KB-329 0.85 kW	m ³ /min	2.9	2.8	2.7	2.5	2.2	2.0	1.75	-	-	-	-
KB-329-1 0.85 kW		2.9	2.8	2.7	2.5	2.2	2.0	1.75	-	-	-	-
KB-329L 0.85 kW		2.9	2.8	2.7	2.5	2.2	2.0	1.75	-	-	-	-
KB-329L-1 0.85 kW		2.9	2.8	2.7	2.5	2.2	2.0	1.75	-	-	-	-
KB-329 1.1 kW		2.9	2.8	2.7	2.5	2.2	2.0	1.75	1.5	1.2	-	-
KB-339 1.5 kW		2.9	2.8	2.7	2.5	2.2	2.0	1.75	1.5	1.2	0.95	0.7
Series 4	mbar	0	40	80	120	140	160	180	200	220	250	300
KB-429 1.5 kW	m ³ /min	4.2	3.7	3.2	2.7	2.3	2.1	1.9	-	-	-	-
KB-429L 1.5 kW		4.2	3.7	3.2	2.7	2.3	2.1	1.9	-	-	-	-
KB-429-1 1.5 kW		4.2	3.7	3.2	2.7	2.3	2.1	1.9	-	-	-	-
KB-429-1 1.75 kW		4.2	3.7	3.2	2.7	2.3	2.1	1.9	1.8	1.7	-	-
KB-429 1.9 kW		4.2	3.7	3.2	2.7	2.3	2.1	1.9	1.8	1.7	-	-
KB-429L 1.9kW		4.2	3.7	3.2	2.7	2.3	2.1	1.9	1.8	1.7	-	-
KB-429 2.6 kW		4.2	3.7	3.2	2.7	2.3	2.1	1.9	1.8	1.7	1.5	1.18
Series 4 HF	mbar	0	40	80	120	140	160	180	200	220	250	300
KB-429 1.5 kW HF	m ³ /min	5.25	4.33	3.50	3.00	2.67	2.33	2.17	-	-	-	-
KB-429 1.75 kW HF		5.25	4.33	3.50	3.00	2.67	2.33	2.17	1.67	1.33	-	-
KB-429 2.6 kW HF		5.25	4.33	3.50	3.00	2.67	2.33	2.17	1.67	1.33	1.00	0.33

Technical data “pressure”

KB-series 60 Hz single-stage

Models		Single-stage pressure (continued)										
Series 5 & 6	mbar	0	50	100	150	175	200	220	250	280	300	320
KB-529 2.6 kW	m ³ /min	6.2	5.5	4.95	4.2	3.95	3.65	3.45	-	-	-	-
KB-529-1 2.6 kW		6.2	5.5	4.95	4.2	3.95	3.65	3.45	-	-	-	-
KB-529L 2.6 kW		6.2	5.5	4.95	4.2	3.95	3.65	3.45	-	-	-	-
KB-629 3.7 kW		6.2	5.5	4.95	4.2	3.95	3.65	3.45	3.0	2.6	-	-
KB-629-1 3.7 kW		6.2	5.5	4.95	4.2	3.95	3.65	3.45	3.0	2.6	-	-
KB-629L 3.7 kW		6.2	5.5	4.95	4.2	3.95	3.65	3.45	3.0	2.6	-	-
KB-639 4.6 kW		6.2	5.5	4.95	4.2	3.95	3.65	3.45	3.0	2.6	2.3	2.1
Series 5 & 6 HF	mbar	0	50	100	150	175	200	220	250	280	300	320
KB-529 2.6 kW HF	m ³ /min	8.30	7.17	6.67	5.83	5.33	5.00	4.67	4.17	-	-	-
KB-629 3.7 kW HF		8.30	7.17	6.67	5.83	5.33	5.00	4.67	4.17	3.83	-	-
KB-639 4.6 kW HF		8.30	7.17	6.67	5.83	5.33	5.00	4.67	4.17	3.83	3.50	3.00
Series 7 & 8	mbar	0	50	100	150	220	290	300	325	350	375	400
KB-729 6.3 kW	m ³ /min	10.9	9.8	9.3	8.6	7.5	6.1	-	-	-	-	-
KB-829 8.6 kW		10.9	9.8	9.3	8.6	7.5	6.1	5.9	5.2	4.8	4.1	3.4
Series 9	mbar	0	50	100	150	190	250	290	325	350	400	430
KB-919 11.0 kW	m ³ /min	22.4	22.35	22.3	21.7	20.2	-	-	-	-	-	-
KB-929 15.0 kW		22.4	22.35	22.3	21.7	20.2	16.8	14.0	-	-	-	-
KB-939 23.0 kW		22.4	22.35	22.3	21.7	20.2	16.8	14.0	11.9	9.8	7.3	4.4



Pressure **60 Hz**

Technical data “pressure”

KB-series 60 Hz double-stage

Models		Double-stage pressure										
Series 23	mbar	0	25	50	75	100	125	150	175	200	220	245
KB-2308 0.85 kW	m ³ /min	1.8	1.75	1.65	1.55	1.4	1.22	1.05	0.9	0.75	0.65	0.5
Series 33	mbar	0	50	100	150	200	250	300	325	350	400	435
KB-3319 1.9 kW	m ³ /min	3.0	2.8	2.5	2.1	1.8	1.6	-	-	-	-	-
KB-3319 1.9 kW		3.0	2.8	2.5	2.1	1.8	1.6	1.35	-	-	-	-
KB-3326 2.6 kW		3.0	2.8	2.5	2.1	1.8	1.6	1.35	1.18	0.98	0.8	0.68
Series 43	mbar	0	50	100	150	200	250	300	350	415	450	500
KB-4337 3.7 kW	m ³ /min	4.5	4.2	4.0	3.8	3.45	3.15	2.85	2.4	1.85	-	-
KB-4346 4.6 kW		4.5	4.2	4.0	3.8	3.45	3.15	2.85	2.4	1.85	1.75	1.5
Series 63	mbar	0	75	150	200	250	300	380	450	530	600	675
KB-6346 4.6 kW	m ³ /min	6.2	5.8	5.3	5.0	4.8	4.38	3.9	-	-	-	-
KB-6355 6.3 kW		6.2	5.8	5.3	5.0	4.8	4.38	3.9	3.4	2.9	-	-
KB-6375 8.6 kW		6.2	5.8	5.3	5.0	4.8	4.38	3.9	3.4	2.9	2.7	2.3
Series 64	mbar	0	50	100	120	140	160	180	200	220	250	270
KB-6455 6.3 kW	m ³ /min	9.2	8.4	7.65	7.4	7.05	6.8	6.45	6.25	5.9	-	-
KB-6475 8.6 kW		9.2	8.4	7.65	7.4	7.05	6.8	6.45	6.25	5.9	5.4	5.2
Series 83	mbar	0	100	200	320	400	500	550	600	650	700	780
KB-8310 8.6 kW	m ³ /min	10.9	10.8	10.2	9.2	-	-	-	-	-	-	-
KB-8315 13.0 kW		10.9	10.8	10.2	9.2	8.3	6.92	6.45	6.0	-	-	-
KB-8320 19.0 kW		10.9	10.8	10.2	9.2	8.3	6.92	6.45	6.0	5.35	4.85	4.0
Series 84	mbar	0	25	50	75	100	125	150	175	200	230	260
KB-8415 13.0 kW	m ³ /min	16.5	15.7	15.2	14.2	13.8	13.0	12.6	12.0	11.2	10.8	9.95