

50 Hz

KB-series 50 Hz

Overview (single- og double-stage)

– Single-stage side channel blower with max. air flow of 1344 m³/h and max. air pressure of 450 mbar

– Double-stage side channel blower (high pressure) with max. air flow of 575 m³/h max. air pressure of 780 mbar.

– Double-stage side channel blower (large flow) with max. air flow of 990 m³/h and max. air pressure of 270 mbar.

Type	Curve no.	Output [kW]	Voltage star/delta [V]	Maximum airflow [m ³ /min]	Safety limit Vacuum / pressure [mbar]	Noise level [dB]	Vacuum / pressure valve PVC/ALU	
Single-stage								
KB-129	22F	0.2	3 x 230/400 (1 x 230) (different voltage on request)	0.8	70/70	53	RV-03	RVA-03
KB-129-1	22F	0.2		0.8	70/70	53	RV-03	RVA-03
KB-229	31F	0.4		1.4	110/130	58	RV-03	RVA-03
KB-229-1	31F	0.4		1.4	110/130	58	RV-03	RVA-03
KB-229L	32F	0.4		1.4	110/130	58	RV-03	RVA-03
KB-229L-1	32F	0.4		1.4	110/130	58	RV-03	RVA-03
KB-329	41F	0.75		2.4	140/140	63	RV-03	RVA-03
KB-329-1	41F	0.75		2.4	140/140	63	RV-03	RVA-03
KB-329L	42F	0.75		2.4	140/140	63	RV-03	RVA-03
KB-329L-1	42F	0.75		2.4	140/140	63	RV-03	RVA-03
KB-329	43F	0.9		2.4	165/180	63	RV-03	RVA-03
KB-339	44F	1.3		2.4	175/200	63	RV-03	RVA-03
KB-429	52F	1.3	3 x 230/400 (1 x 220/240) (different voltage on request)	3.6	180/180	70	RV-03	RVA-03
KB-429L	52F	1.3		3.6	180/180	70	RV-03	RVA-03
KB-429-1	52F	1.3		3.6	180/180	70	RV-03	RVA-03
KB-429-1	53F	1.5		3.6	210/220	70	RV-03	RVA-03
KB-429	54F	1.75		3.6	210/220	70	RV-03	RVA-03
KB-429L	54F	1.75		3.6	210/220	70	RV-03	RVA-03
KB-429	55F	2.2		3.6	220/270	70	RV-03	RVA-03
KB-429HF	56HF	1.3		4.50	180/180	70	RV-03	RVA-03
KB-429HF	57HF	1.75		4.50	210/220	70	RV-03	RVA-03
KB-429HF	58HF	2.2		4.50	220/270	70	RV-03	RVA-03
KB-529	61F	2.2		5.2	230/230	72	ATV-20	ATV-20
KB-529-1	61F	2.2		5.2	230/230	72	ATV-20	ATV-20
KB-529L	61F	2.2	5.2	230/230	72	ATV-20	ATV-20	
KB-629	62F	3.4	5.2	260/280	72	RV-03	RVA-03	
KB-629-1	62F	3.4	5.2	260/280	72	RV-03	RVA-03	
KB-629L	62F	3.4	5.2	260/280	72	RV-03	RVA-03	
KB-639	63F	4.0	5.2	270/330	72	RV-03	RVA-03	
KB-529HF	61HF	2.2	6.8	230/230	72	RV-03	RVA-03	
KB-629HF	62HF	3.4	6.8	260/300	72	RV-03	RVA-03	
KB-639HF	63HF	4.0	6.8	270/330	72	RV-03	RVA-03	
KB-729	81F	5.5	3 x 230/400 or (3 x 400/690) (different voltage on request)	9.2	270/300	74	-- --	ATV-25
KB-829	82F	7.5		9.2	300/400	74	-- --	ATV-25*
KB-919	91F	9	3 x 230/400 or (3 x 400/690) (different voltage on request)	18.9	200/200	76	-- --	ATV-25
KB-929	92F	13		18.9	300/300	76	-- --	ATV-25
KB-939	93F	20		18.9	350/450	76	-- --	ATV-25*

* With special spring > 350 mbar

50 Hz



Type	Curve no.	Output [kW]	Voltage star/delta [V]	Maximum airflow [m³/min]	Safety limit Vacuum / pressure [mbar]	Noise level [dB]	Vacuum / pressure valve PVC/ALU	
Double-stage								
KB-2308	101F	0.75	3 x 230/400 or (3 x 400/690) (different voltage on request)	1.5	200/240	60	RV-03	RVA-03
KB-3315	110F	1.3		2.6	220/250	66	RV-03	RVA-03
KB-3319	111F	1.75		2.6	275/320	66	RV-03	RVA-03
KB-3326	112F	2.2		2.6	280/375	66	RV-36	RVA-36
KB-4337	121F	3.4	3 x 230/400 or (3 x 400/690) (different voltage on request)	3.7	345/410	74	RV-36	RVA-36
KB-4346	122F	4.0		3.7	355/495	74	RV-36	RVA-36
KB-6346	131F	4.0		5.2	360/380	75	2xRV-36	RVA-36
KB-6355	132F	5.5		5.2	410/515	75	2xRV-36	2xRVA-36
KB-6375	133F	7.5	5.2	420/580	75	2xRV-36	2xRVA-36	
KB-6455	142F	5.5	3 x 230/400 or (3 x 400/690) (different voltage on request)	7.8	200/220	75	RV-36	RV-36
KB-6475	143F	7.5		7.8	240/270	75	RVA-36	RVA-36
KB-8310	151F	7.5		9.6	320/320	76	-- --	2xATV-25
KB-8315	152F	11		9.6	430/600	76	-- --	2xATV-25*
KB-8320	153F	16	9.6	450/700	76	-- --	-	
KB-8415	162F	11		14.2	260/260	76	-- --	2xATV-25

Colour code • dark grey: 3 phase / Colour code • orange: 1 phase

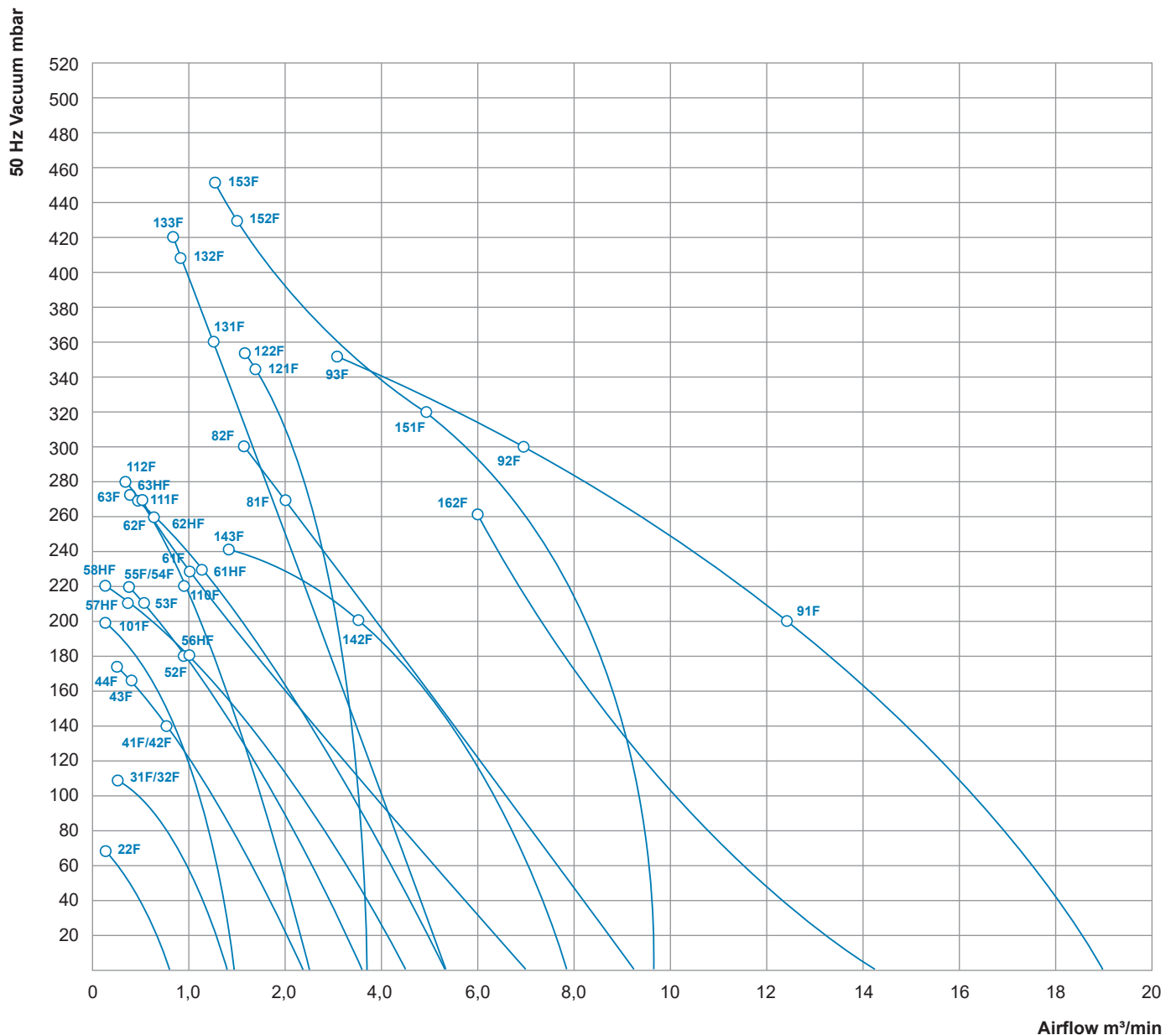
The technical data is based on 1 bar (abs) free atmosphere and 20 °C with inlet air density 1.2 kg/m³, incl. 10% variance. All rights reserved for technical specification changes without prior approval from any source outside Brd. Klee, when considered necessary based on our research and development.

It is recommended to use a pressure/vacuum safety valve to protect the fan from overheating and exceeding the permissible pressure/vacuum. Please see page 54-55 for further information. Bi-metal switch is standard on motors from 5.5 kW and all 1-phase models.

* With special spring > 350 mbar

Vacuum diagram

KB-series 50 Hz

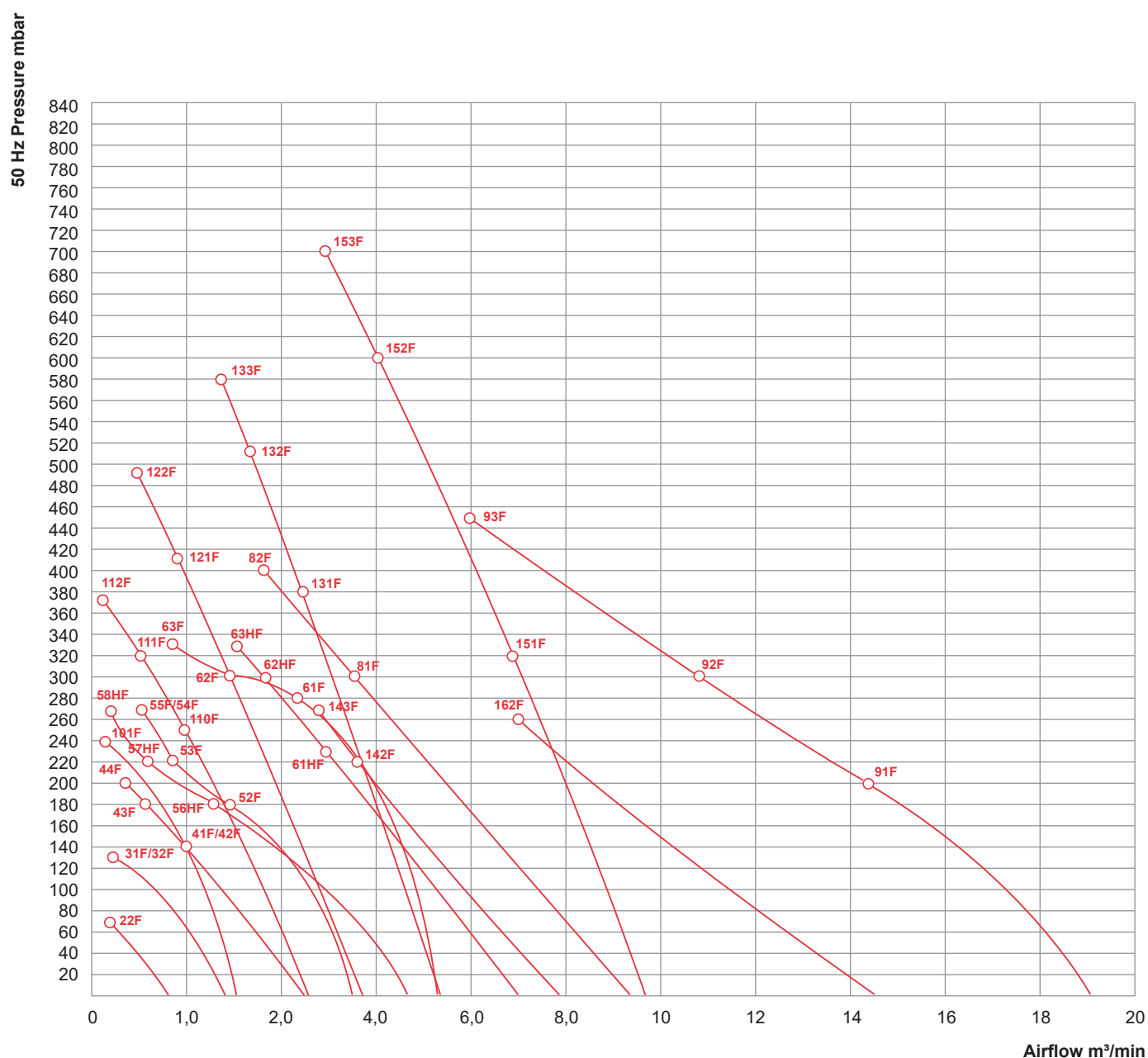


The technical data is based on 1 bar (abs) free atmosphere and 20 °C with inlet air density 1.2 kg/m³, incl. 10% variance. All rights reserved for technical specification changes without prior approval from any source outside Brd. Klee, when considered necessary based on our research and development.

It is recommended to use a pressure/vacuum safety valve to protect the fan from overheating and exceeding the permissible pressure/vacuum. Please see page 54-55 for further information. Bi-metal switch is standard on motors from 5.5 kW and all 1-phase models.

Pressure diagram

KB-series 50 Hz



The technical data is based on 1 bar (abs) free atmosphere and 20 °C with inlet air density 1.2 kg/m³, incl. 10% variance. All rights reserved for technical specification changes without prior approval from any source outside Brd. Klee, when considered necessary based on our research and development.

It is recommended to use a pressure/vacuum safety valve to protect the fan from overheating and exceeding the permissible pressure/vacuum. Please see page 54-55 for further information. Bi-metal switch is standard on motors from 5.5 kW and all 1-phase models.

Technical data “vacuum”

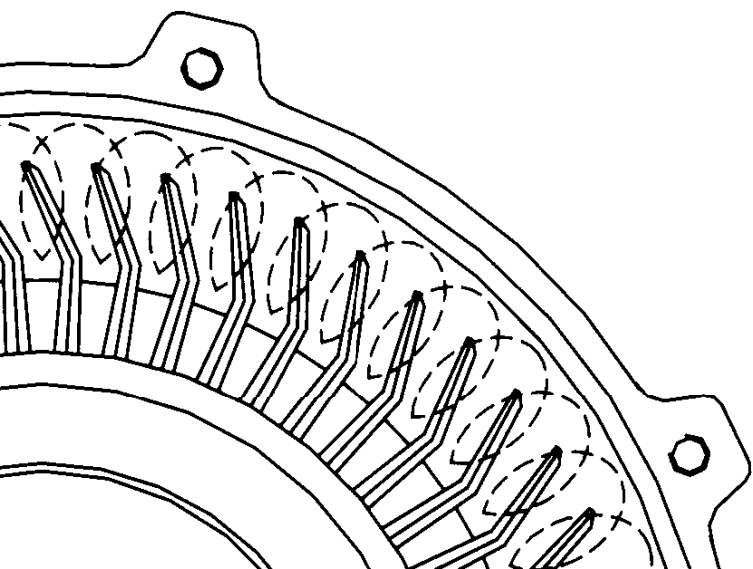
KB-series 50 Hz single-stage

Models		Single-stage vacuum										
Series 1	mbar	0	10	20	30	40	50	60	70	80	90	100
KB-129 0.2 kW	m ³ /min	0.8	0.72	0.66	0.56	0.48	0.38	0.25	0.12	-	-	-
KB-129-1 0.2 kW	m ³ /min	0.8	0.72	0.66	0.56	0.48	0.38	0.25	0.12	-	-	-
Series 2	mbar	0	20	40	60	80	100	110	120	130	140	150
KB-229 0.4 kW	m ³ /min	1.4	1.25	0.92	0.8	0.63	0.41	0.25	-	-	-	-
KB-229-1 0.4 kW		1.4	1.25	0.92	0.8	0.63	0.41	0.25	-	-	-	-
KB-229L 0.4 kW		1.4	1.25	0.92	0.8	0.63	0.41	0.25	-	-	-	-
KB-229L-1 0.4 kW		1.4	1.25	0.92	0.8	0.63	0.41	0.25	-	-	-	-
Series 3	mbar	0	20	40	60	80	100	120	140	165	175	185
KB-329 0.75 kW	m ³ /min	2.4	2.2	1.85	1.75	1.4	1.25	0.9	0.75	-	-	-
KB-329-1 0.75 kW		2.4	2.2	1.85	1.75	1.4	1.25	0.9	0.75	-	-	-
KB-329L 0.75 kW		2.4	2.2	1.85	1.75	1.4	1.25	0.9	0.75	-	-	-
KB-329L-1 0.75 kW		2.4	2.2	1.85	1.75	1.4	1.25	0.9	0.75	-	-	-
KB-329 0.9 kW		2.4	2.2	1.85	1.75	1.4	1.25	0.9	0.75	0.43	-	-
KB-339 1.3kW		2.4	2.2	1.85	1.75	1.4	1.25	0.9	0.75	0.43	0.35	-
Series 4	mbar	0	25	50	75	100	130	160	180	200	210	220
KB-429 1.3 kW	m ³ /min	3.6	3.3	3.0	2.7	2.2	1.77	1.15	0.91	-	-	-
KB-429L 1.3 kW		3.6	3.3	3.0	2.7	2.2	1.77	1.15	0.91	-	-	-
KB-429-1 1.3 kW		3.6	3.3	3.0	2.7	2.2	1.77	1.15	0.91	-	-	-
KB-429-1 1.5 kW		3.6	3.3	3.0	2.7	2.2	1.77	1.15	0.91	0.68	0.52	-
KB-429 1.75 kW		3.6	3.3	3.0	2.7	2.2	1.77	1.15	0.91	0.68	0.52	-
KB-429L 1.75kW		3.6	3.3	3.0	2.7	2.2	1.77	1.15	0.91	0.68	0.52	-
KB-429 2.2 kW		3.6	3.3	3.0	2.7	2.2	1.77	1.15	0.91	0.68	0.52	0.38
Series 4 HF	mbar	0	25	50	75	100	130	160	180	200	210	220
KB-429 1.3 kW HF	m ³ /min	4.50	3.83	3.17	2.67	2.17	1.67	1.33	1.00	-	-	-
KB-429 1.75 kW HF		4.50	3.83	3.17	2.67	2.17	1.67	1.33	1.00	0.67	0.33	-
KB-429 2.2 kW HF		4.50	3.83	3.17	2.67	2.17	1.67	1.33	1.00	0.67	0.33	0.17

Technical data “vacuum”

KB-series 50 Hz single-stage

Models		Single-stage vacuum (continued)										
Series 5 & 6	mbar	0	50	100	120	140	160	180	200	230	260	270
KB-529 2.2 kW	m ³ /min	5.2	4.5	3.6	3.2	2.8	2.3	1.9	1.65	1.18	-	-
KB-529-1 2.2 kW		5.2	4.5	3.6	3.2	2.8	2.3	1.9	1.65	1.18	-	-
KB-529L 2.2 kW		5.2	4.5	3.6	3.2	2.8	2.3	1.9	1.65	1.18	-	-
KB-629 3.4 kW		5.2	4.5	3.6	3.2	2.8	2.3	1.9	1.65	1.18	0.75	-
KB-629-1 3.4 kW		5.2	4.5	3.6	3.2	2.8	2.3	1.9	1.65	1.18	0.75	-
KB-629L 3.4 kW		5.2	4.5	3.6	3.2	2.8	2.3	1.9	1.65	1.18	0.75	-
KB-639 4.0 kW		5.2	4.5	3.6	3.2	2.8	2.3	1.9	1.65	1.18	0.75	0.55
Series 5 & 6 HF	mbar	0	50	100	120	140	160	180	200	230	260	270
KB-529 2.2 kW HF	m ³ /min	6.8	5.8	4.0	3.5	3.0	2.6	1.7	1.33	1.00	-	-
KB-629 3.4 kW HF		6.8	5.8	4.0	3.5	3.0	2.6	1.7	1.33	1.00	0.67	-
KB-639 4.0 kW HF		6.8	5.8	4.0	3.5	3.0	2.6	1.7	1.33	1.00	0.67	0.50
Series 7 & 8	mbar	0	50	100	130	160	180	200	230	250	270	300
KB-729 5.5 kW	m ³ /min	9.2	8.3	7.2	6.3	5.6	4.9	4.4	3.3	2.7	2.0	-
KB-829 7.5 kW		9.2	8.3	7.2	6.3	5.6	4.9	4.4	3.3	2.7	2.0	1.5
Series 9	mbar	0	50	100	120	160	200	240	270	300	325	350
KB-919 9.0 kW	m ³ /min	18.9	18	17.8	16.7	15	12.5	-	-	-	-	-
KB-929 13.0 kW		18.9	18	17.8	16.7	15	12.5	9.5	8.4	6.8	-	-
KB-939 20.0 kW		18.9	18	17.8	16.7	15	12.5	9.5	8.4	6.8	5.2	3.2



Technical data “vacuum”

KB-series 50 Hz double-stage

Models		Double-stage vacuum										
Series 23	mbar	0	25	50	75	100	125	150	175	200	210	220
KB-2308 0.75 kW	m ³ /min	1.5	1.4	1.25	1.1	0.9	0.8	0.7	0.45	0.25	-	-
Series 33	mbar	0	50	100	130	160	180	200	220	250	275	280
KB-3315 1.75 kW	m ³ /min	2.6	2.2	1.8	1.65	1.35	1.22	0.95	0.88	-	-	-
KB-3319 1.75 kW		2.6	2.2	1.8	1.65	1.35	1.22	0.95	0.88	0.68	0.45	-
KB-3326 2.2 kW		2.6	2.2	1.8	1.65	1.35	1.22	0.95	0.88	0.68	0.45	0.4
Series 43	mbar	0	50	100	150	200	250	275	300	325	345	355
KB-4337 3.4 kW	m ³ /min	3.7	3.6	3.15	2.5	1.85	1.4	1.1	0.9	0.7	0.55	-
KB-4346 4.0 kW		3.7	3.6	3.15	2.5	1.85	1.4	1.1	0.9	0.7	0.55	0.45
Series 63	mbar	0	50	100	150	200	250	300	330	360	410	420
KB-6346 4.0 kW	m ³ /min	5.2	5.05	4.8	4.2	3.8	2.9	2.0	1.7	1.3	-	-
KB-6355 5.5 kW		5.2	5.05	4.8	4.2	3.8	2.9	2.0	1.7	1.3	0.85	-
KB-6375 7.5 kW		5.2	5.05	4.8	4.2	3.8	2.9	2.0	1.7	1.3	0.85	0.8
Series 64	mbar	0	50	100	120	140	160	180	200	220	240	250
KB-6455 5.5 kW	m ³ /min	7.8	7.25	6.55	6.2	5.7	5.2	4.4	3.8	-	-	-
KB-6475 7.5 kW		7.8	7.25	6.55	6.2	5.7	5.2	4.4	3.8	3.2	1.35	-
Series 83	mbar	0	75	150	200	250	300	320	350	400	430	450
KB-8310 7.5 kW	m ³ /min	9.6	9.2	8.4	7.6	6.7	5.5	5.0	-	-	-	-
KB-8315 11.0 kW		9.6	9.2	8.4	7.6	6.7	5.5	5.0	4.15	2.3	1.4	-
KB-8320 19.0 kW		9.6	9.2	8.4	7.6	6.7	5.5	5.0	4.15	2.3	1.4	1.2
Series 84	mbar	0	25	50	75	100	125	150	175	200	230	260
KB-8415 11.0 kW	m ³ /min	14.2	13.5	12.1	11.2	9.95	9.4	8.85	8.2	7.6	6.6	6.0

Pressure **50 Hz**

Technical data “pressure”

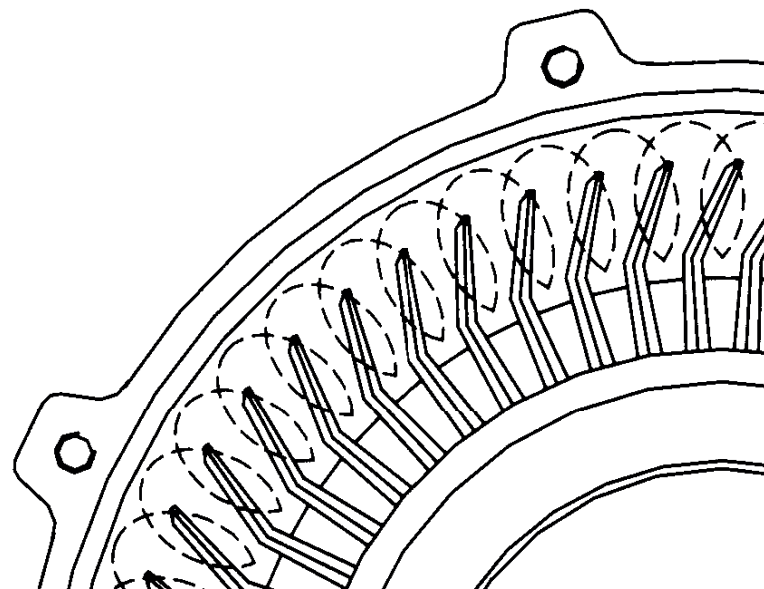
KB-series 50 Hz single-stage

Models		Single-stage pressure										
Series 1	mbar	0	10	20	30	40	50	60	70	80	90	100
KB-129 0.2 kW	m ³ /min	0.8	0.72	0.66	0.56	0.48	0.38	0.25	0.12	-	-	-
KB-129-1 0.2 kW	m ³ /min	0.8	0.72	0.66	0.56	0.48	0.38	0.25	0.12	-	-	-
Series 2	mbar	0	20	40	60	80	100	110	120	130	140	150
KB-229 0.4 kW	m ³ /min	1.4	1.2	1.0	0.88	0.8	0.5	0.35	0.25	0.15	-	-
KB-229-1 0.4 kW		1.4	1.2	1.0	0.88	0.8	0.5	0.35	0.25	0.15	-	-
KB-229L 0.4 kW		1.4	1.2	1.0	0.88	0.8	0.5	0.35	0.25	0.15	-	-
KB-229L-1 0.4 kW		1.4	1.2	1.0	0.88	0.8	0.5	0.35	0.25	0.15	-	-
Series 3	mbar	0	20	40	60	80	100	120	140	160	180	200
KB-329 0.75 kW	m ³ /min	2.4	2.2	2.0	1.82	1.75	1.4	1.2	0.9	-	-	-
KB-329-1 0.75 kW		2.4	2.2	2.0	1.82	1.75	1.4	1.2	0.9	-	-	-
KB-329L 0.75 kW		2.4	2.2	2.0	1.82	1.75	1.4	1.2	0.9	-	-	-
KB-329L-1 0.75 kW		2.4	2.2	2.0	1.82	1.75	1.4	1.2	0.9	-	-	-
KB-329 0.9 kW		2.4	2.2	2.0	1.82	1.75	1.4	1.2	0.9	0.75	0.52	-
KB-339 1.3kW		2.4	2.2	2.0	1.82	1.75	1.4	1.2	0.9	0.75	0.52	0.4
Series 4	mbar	0	40	80	100	130	150	180	200	220	250	270
KB-429 1.3 kW	m ³ /min	3.6	3.15	3.0	2.7	2.2	1.8	1.45	-	-	-	-
KB-429L 1.3 kW		3.6	3.15	3.0	2.7	2.2	1.8	1.45	-	-	-	-
KB-429-1 1.3 kW		3.6	3.15	3.0	2.7	2.2	1.8	1.45	-	-	-	-
KB-429-1 1.5 kW		3.6	3.15	3.0	2.7	2.2	1.8	1.45	1.2	0.87	-	-
KB-429 1.75 kW		3.6	3.15	3.0	2.7	2.2	1.8	1.45	1.2	0.87	-	-
KB-429L 1.75kW		3.6	3.15	3.0	2.7	2.2	1.8	1.45	1.2	0.87	-	-
KB-429 2.2 kW		3.6	3.15	3.0	2.7	2.2	1.8	1.45	1.2	0.87	0.73	0.45
Series 4 HF	mbar	0	40	80	100	130	150	180	200	220	250	270
KB-429 1.3 kW HF	m ³ /min	4.33	3.50	2.83	2.00	2.00	1.67	1.33	-	-	-	-
KB-429 1.75 kW HF		4.33	3.50	2.83	2.00	2.00	1.67	1.33	1.00	0.67	-	-
KB-429 2.2 kW HF		4.33	3.50	2.83	2.00	2.00	1.67	1.33	1.00	0.67	0.33	0.17

Technical data “pressure”

KB-series 50 Hz single-stage

Models		Single-stage pressure										
Series 5 & 6	mbar	0	50	100	150	175	200	230	250	280	300	330
KB-529 2.2 kW	m ³ /min	5.2	4.95	4.4	3.75	3.2	2.95	2.2	-	-	-	-
KB-529-1 2.2 kW		5.2	4.95	4.4	3.75	3.2	2.95	2.2	-	-	-	-
KB-529L 2.2 kW		5.2	4.95	4.4	3.75	3.2	2.95	2.2	-	-	-	-
KB-629 3.4 kW		5.2	4.95	4.4	3.75	3.2	2.95	2.2	1.85	1.5	-	-
KB-629-1 3.4 kW		5.2	4.95	4.4	3.75	3.2	2.95	2.2	1.85	1.5	-	-
KB-629L 3.4 kW		5.2	4.95	4.4	3.75	3.2	2.95	2.2	1.85	1.5	-	-
KB-639 4.0 kW		5.2	4.95	4.4	3.75	3.2	2.95	2.2	1.85	1.5	1.2	0.85
Series 5 & 6 HF	mbar	0	50	100	150	175	200	230	250	280	300	330
KB-529 2.2 kW HF	m ³ /min	7.0	6.0	5.0	4.0	3.7	3.2	2.9	-	-	-	-
KB-629 3.4 kW HF		7.0	6.0	5.0	4.0	3.7	3.2	2.9	2.5	2.2	1.8	-
KB-639 4.0 kW HF		7.0	6.0	5.0	4.0	3.7	3.2	2.9	2.5	2.2	1.8	1.5
Series 7 & 8	mbar	0	50	100	150	200	250	300	325	350	375	400
KB-729 5.5 kW	m ³ /min	9.2	8.4	7.75	6.9	5.92	4.95	3.85	-	-	-	-
KB-829 7.5 kW		9.2	8.4	7.75	6.9	5.92	4.95	3.85	3.25	2.6	2.1	1.85
Series 9	mbar	0	50	100	150	200	250	300	325	350	400	450
KB-919 9.0 kW	m ³ /min	18.9	18.5	17.8	16.0	14.5	-	-	-	-	-	-
KB-929 13.0 kW		18.9	18.5	17.8	16.0	14.5	13.0	10.8	-	-	-	-
KB-939 20.0 kW		18.9	18.5	17.8	16.0	14.5	13.0	10.8	9.5	8.95	7.6	6.0



Technical data “pressure”

KB-series 50 Hz double-stage

Models		Double-stage pressure										
Series 23	mbar	0	25	50	75	100	125	150	175	200	220	240
KB-2308 0.75 kW	m ³ /min	1.5	1.35	1.18	1.0	0.9	0.75	0.65	0.53	0.4	0.25	0.13
Series 33	mbar	0	50	100	150	200	250	275	300	320	350	375
KB-3315 1.75 kW	m ³ /min	2.6	2.2	1.18	1.0	0.9	0.75	-	-	-	-	-
KB-3319 1.75 kW		2.6	2.2	1.18	1.0	0.9	0.75	0.65	0.53	0.4	-	-
KB-3326 2.2 kW		2.6	2.2	1.18	1.0	0.9	0.75	0.65	0.53	0.4	0.25	0.13
Series 43	mbar	0	50	100	150	200	250	300	350	410	450	495
KB-4337 3.4 kW	m ³ /min	3.7	3.65	3.5	3.15	2.9	2.3	1.8	1.45	0.85	-	-
KB-4346 4.0 kW		3.7	3.65	3.5	3.15	2.9	2.3	1.8	1.45	0.85	0.73	0.5
Series 63	mbar	0	100	200	250	300	380	400	450	515	550	580
KB-6346 4.0 kW	m ³ /min	5.2	4.9	4.3	3.95	3.5	2.65	-	-	-	-	-
KB-6355 5.5 kW		5.2	4.9	4.3	3.95	3.5	2.65	2.52	2.0	1.65	-	-
KB-6375 7.5 kW		5.2	4.9	4.3	3.95	3.5	2.65	2.52	2.0	1.65	1.53	1.35
Series 64	mbar	0	50	100	120	140	160	180	200	220	250	270
KB-6455 5.5 kW	m ³ /min	7.8	7.25	6.48	6.2	5.7	5.3	4.8	4.3	3.7	-	-
KB-6475 7.5 kW		7.8	7.25	6.48	6.2	5.7	5.3	4.8	4.3	3.7	2.8	2.3
Series 83	mbar	0	75	150	250	320	400	500	550	600	650	700
KB-8310 7.5 kW	m ³ /min	9.6	9.3	8.8	7.9	7.2	-	-	-	-	-	-
KB-8315 11.0 kW		9.6	9.3	8.8	7.9	7.2	6.2	4.7	4.3	4.0	-	-
KB-8320 19.0 kW		9.6	9.3	8.8	7.9	7.2	6.2	4.7	4.3	4.0	3.5	2.8
Series 84	mbar	0	25	50	75	100	125	150	175	200	230	260
KB-8415 11.0 kW	m ³ /min	14.2	13.4	12.9	12.5	12.1	11.0	9.9	9.2	8.8	7.8	7.0