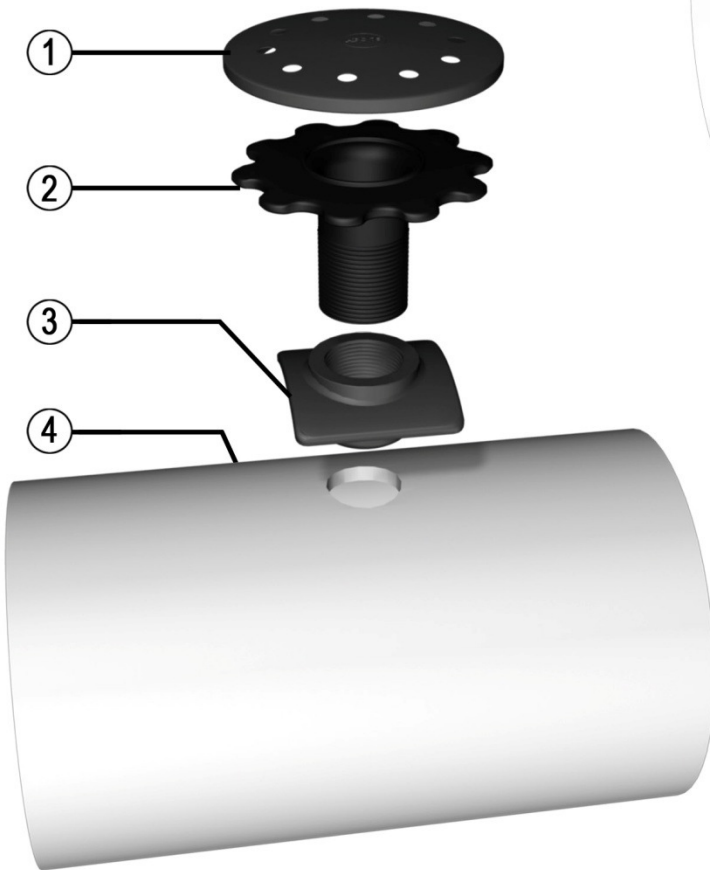


**ASSEMBLED VIEW**



Description	Material
1 Membrane	EPDM / PTFE / fEPDM™ / Viton
2 Diffuser body	Acrylic
3 <b>GR6</b> Grommet	PVC
4 90mm or 110mm (O.D) PVC pipe (3.5mm to 6.5mm Wall thickness)	

## Model Details

	CAP (AFC75)
3.5mm to 6mm Wall thick PVC pipe	Ø90mm or Ø110mm
Hole size on pipe (Chamfered)	Ø32mm
Hole quantity (On membrane)	10 x 5mm holes
Design air flow range	7 to 10 Sm <sup>3</sup> /hr

**Note:** When fitting GR6 Grommet on to 90mm or 110mm (O.D) UPVC pipe work suitable PVC glue is also recommended to be applied to secure the grommet to the pipe wall.