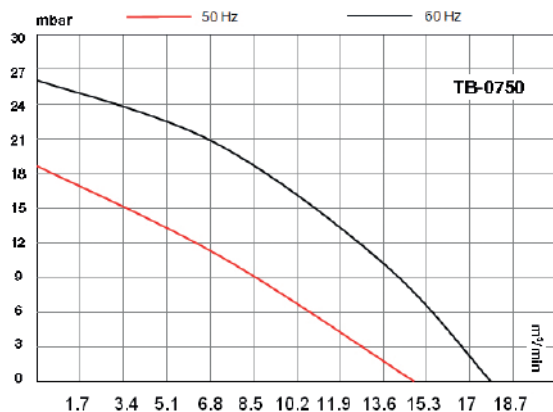
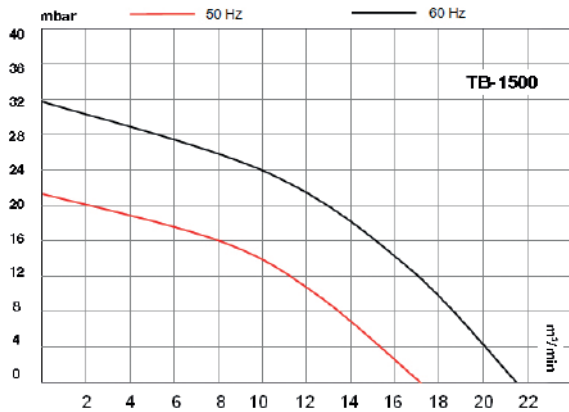
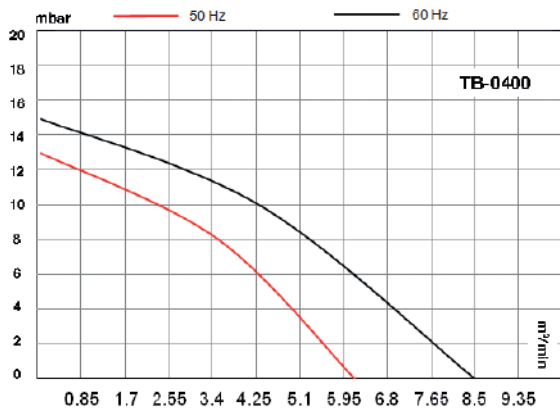




# Specifications (TB)

## Turboblowers TB-0400/0750/1500

Type no.		TB-0400	TB-0400	TB-0750	TB-0750	TB-1500	TB-1500
Phases		3	1	3	1	3	1
Output kW	50 Hz	0,37	0,37	0,65	0,65	1,3	1,3
	60 Hz	0,4	0,4	0,85	0,85	1,5	1,5
Frequency		50/60	50/60	50/60	50/60	50/60	50/60
Voltage [V] ( $\Delta/Y$ )	50 Hz, 60 Hz	230/400, 277/480	230, 230	230/400, 277/480	230, 230	230/400, 277/480	230, 230
Current [A] ( $\Delta/Y$ )	50 Hz, 60 Hz	1,5/0,9, 1,7/1,0	1,6, 1,7	2,3/1,3, 3,4/1,9	3,8, 5,7	4,5/2,6, 5,5/3,2	9,0, 12,0
Pressure [mbar]	50 Hz	13,0	13,0	18,5	18,5	21,5	21,5
	60 Hz	15,0	15,0	26,5	26,5	32,0	32,0
Airflow [m <sup>3</sup> /min]	50 Hz	6	6	15	15	17	17
	60 Hz	8	8	18	18	21	21
Outlet ["]		3" (Ø75)	3" (Ø75)	4" (Ø100)	4" (Ø100)	4" (Ø100)	4" (Ø100)
Noise level [dB]	50 Hz	57	57	65	65	74	74
	60 Hz	70	70	80	80	90	90
Weight [kg]		18	18	30	30	40	40

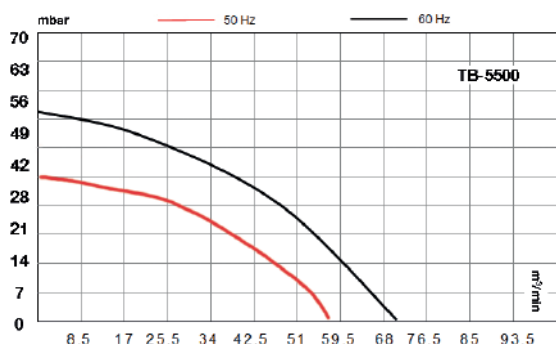
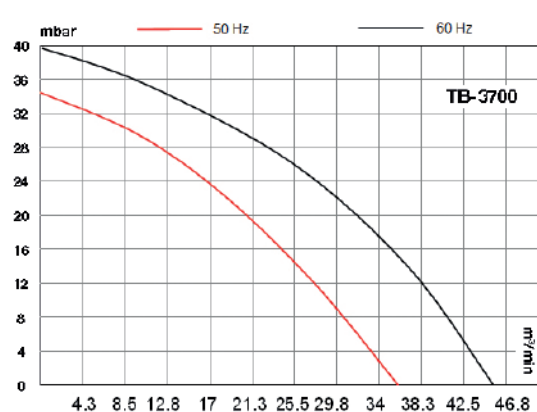
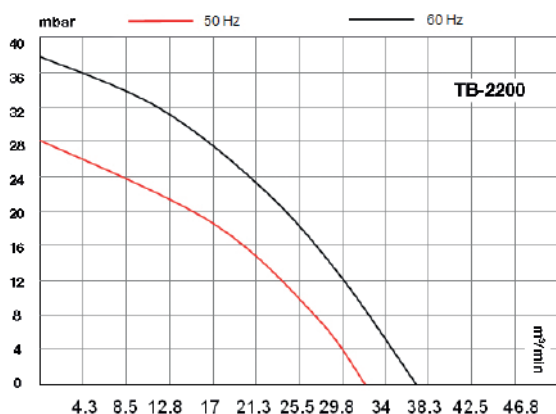


# Specifications (TB)

## Turboblowers TB-2200/3700/5500

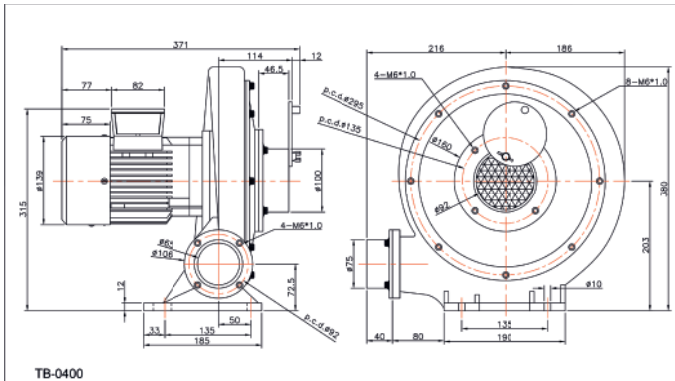
Type no.		TB-2200	TB-3700	TB-5500
Phases		3	3	3
Output kW	50 Hz	1,9	3,4	5,0
	60 Hz	2,2	3,7	5,5
Frequency		50/60	50/60	50/60
Voltage [V] ( $\Delta/Y$ ) 50 Hz, 60 Hz		230/400, 277/480	230/400, 277/480	230/400, 277/480
Current [A] ( $\Delta/Y$ ) 50 Hz, 60 Hz		6,5/3,8, 9,2/5,3	11,5/6,6, 14,5/8,4	18,0/10,4, 23,0/13,3
Pressure [mbar]	50 Hz	28,5	35,0	42
	60 Hz	38,0	40,0	50
Airflow [m <sup>3</sup> /min]	50 Hz	33	35	58
	60 Hz	38	45	70
Outlet ["]		5" (Ø125)	6" (Ø150)	6" (Ø150)
Noise level [dB]	50 Hz	77	80	70
	60 Hz	96	100	90
Weight [kg]		60	74	82

Type TB-1500/1.5 kW, TB2200/2.2 kW and TB-5500/5.5 kW can be supplied on request with 3-phase IEC-motor in IE2 version.

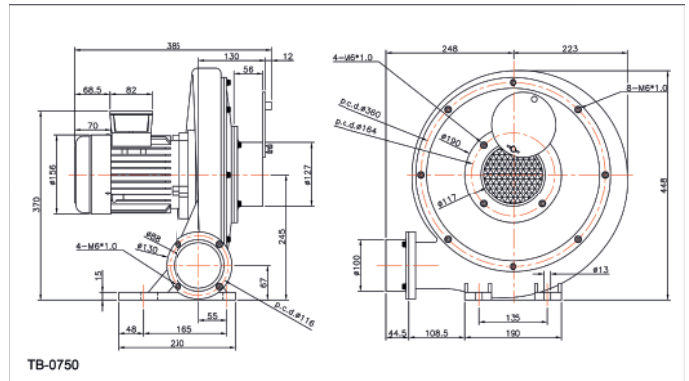


# Dimensions

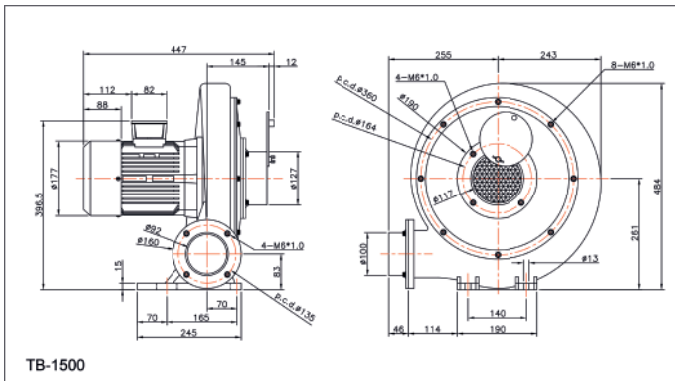
## Turboblower TB-series



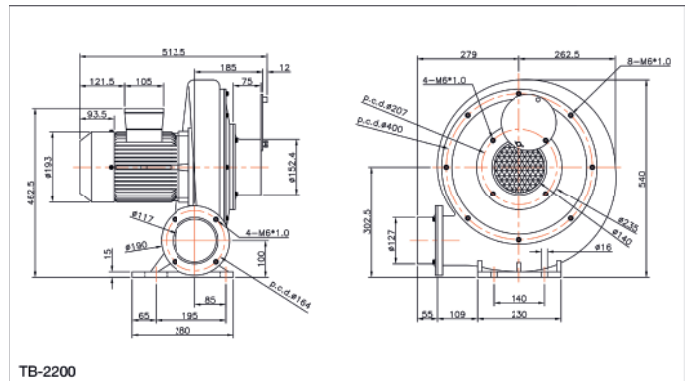
TB-0400



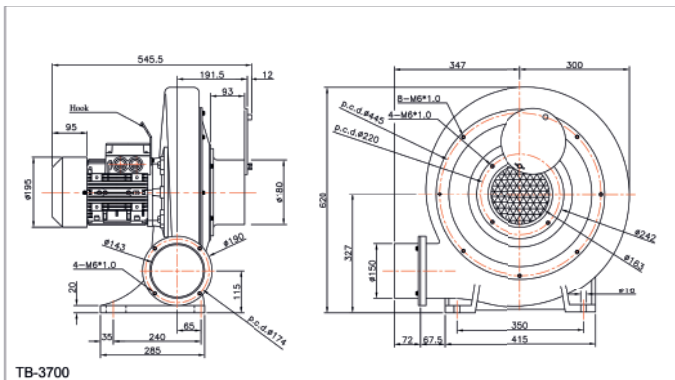
TB-0750



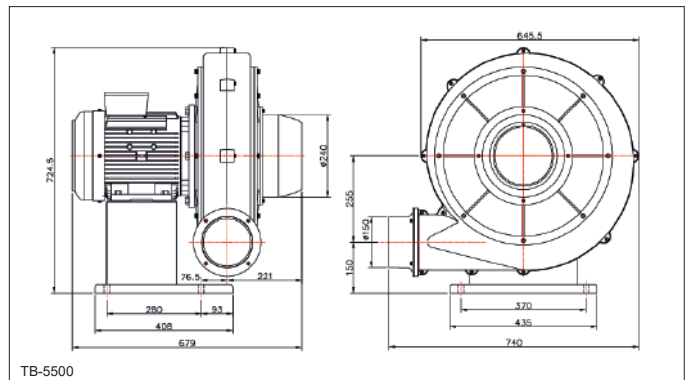
TB-1500



TB-2200



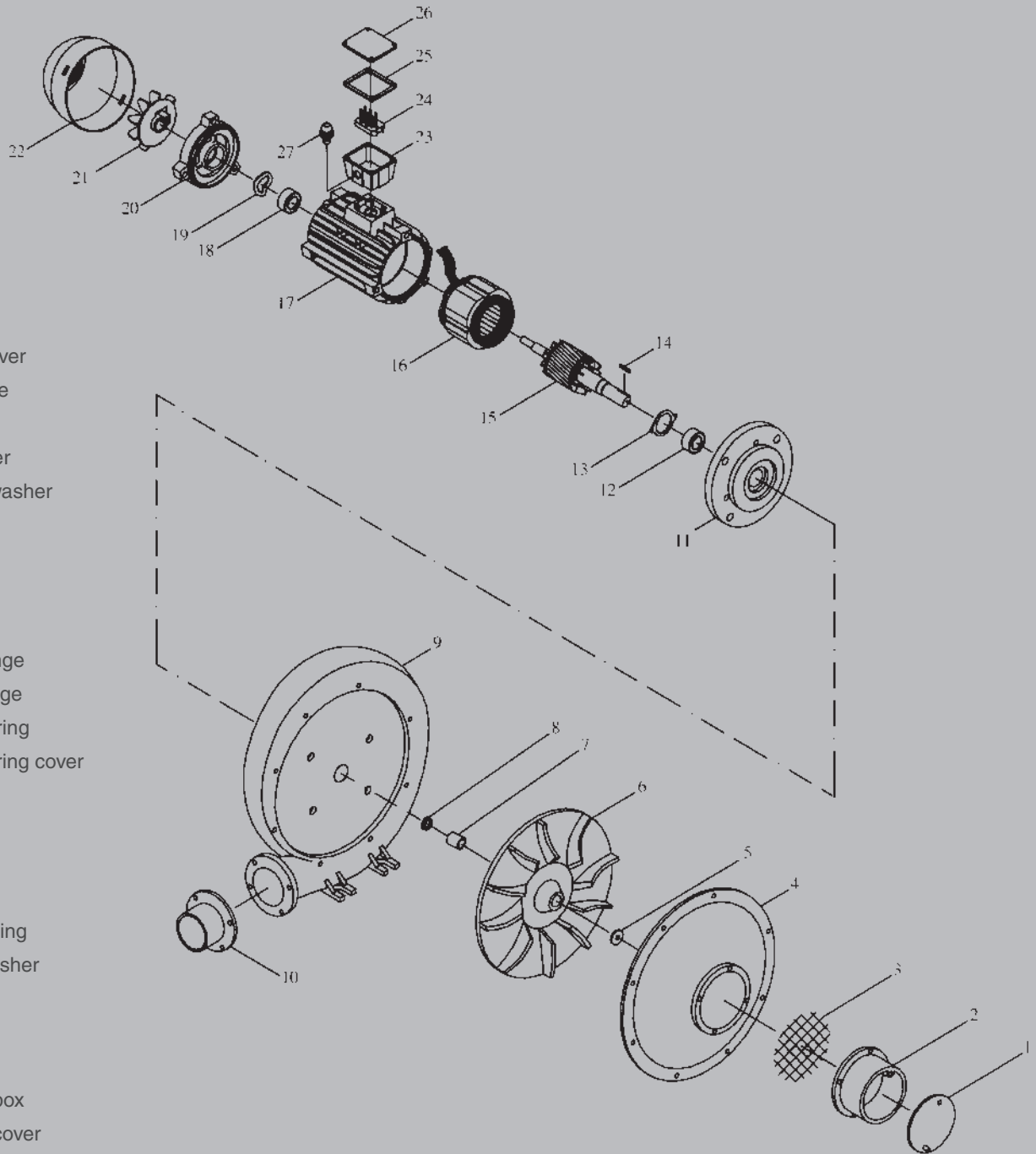
TB-3700



TB-5500

# Turboblower

## Exploded view and parts list



01. Flange cover
02. Inlet flange
03. Filter
04. Front cover
05. Impeller washer
06. Impeller
07. Sealing
08. Sleeve
09. Housing
10. Outlet flange
11. Motor flange
12. Front bearing
13. Inner bearing cover
14. Key
15. Rotor
16. Stator
17. Housing
18. Rear bearing
19. Spring washer
20. B-shield
21. Fan
22. Fan cover
23. Terminal box
24. Terminal cover
25. Terminal box sealing
26. Terminal box cover
27. Cable gland

# Specifications type KB 4..

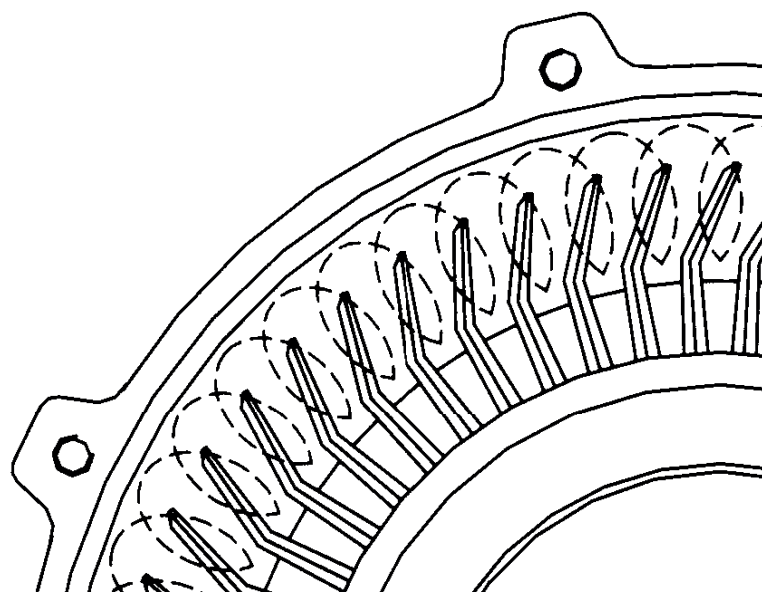
## Single-stage (side channel blowers)

- NSK bearings with high temperature grease
- CE, UL and CSA approved
- All units are QC inspected by Klee
- Built-in bi-metal switch for 1-phase models
- Available with 3-phase IE2/IE3 motor



Type no.		KB-429	KB-429-1	KB-429L	KB-429L-1	KB-429HF
Phases		3	1	3	1	3
Output kW	50 Hz	1.3	1.3	1.3	1.3	1.3
	60 Hz	1.5	1.5	1.5	1.5	1.5
Voltage Volt	50 Hz	230/400	230	230/400	230	230/400
	60 Hz	276/480	230	276/480	230	276/480
Current Amp	50 Hz	5.7/3.3	10	5.7/3.3	10	5.7/3.3
	60 Hz	6.0/3.5	11	6.0/3.5	11	6.0/3.5
Vacuum mbar	50 Hz	180	180	180	180	180
	60 Hz	180	180	180	180	180
Pressure mbar	50 Hz	180	180	180	180	180
	60 Hz	180	180	180	180	180
Airflow m <sup>3</sup> /min	50 Hz	3.6	3.6	3.6	3.6	4.40
	60 Hz	4.2	4.2	4.2	4.2	5.25
Insulation class		F	F	F	F	F
L1		126	126	167.5	167.5	167.5
L2		320	320	361.5	361.5	361.5
Weight Kg		22	22.5	22.5	22.5	22.8

*Continues on the next page.*



Continued type KB 4.. (single-stage side channel blowers).

Type no.		KB-429-1	KB-429	KB-429L	KB-429	KB-429HF	KB-429HF
Phases		1	3	3	3	3	3
Output kW	50 Hz	1.5	1.75	1.75	2.2	1.75	2.2
	60 Hz	1.75	1.9	1.9	2.6	1.9	2.6
Voltage Volt	50 Hz	230	230/400	230/400	230/400	230/400	230/400
	60 Hz	230	276/480	276/480	276/480	276/480	276/480
Current Amp	50 Hz	11,5	6.7/3.9	6.7/3.9	7.8/4.5	6.7/3.9	7.8/4.5
	60 Hz	12	7/4	7/4	9.5/5.5	7/4	9.5/5.5
Vacuum mbar	50 Hz	210	210	210	220	210	220
	60 Hz	210	210	210	255	210	255
Pressure mbar	50 Hz	220	220	220	270	220	270
	60 Hz	220	220	220	300	220	300
Airflow m <sup>3</sup> /min	50 Hz	3.6	3.6	3.6	3.6	4.40	4.40
	60 Hz	4.2	4.2	4.2	4.2	5.25	5.25
Insulation class		F	F	F	F	F	F
L1		126	126	167.5	126	126	126
L2		320	320	361.5	320	320	320
Weight Kg		23	23	23.5	26	26.3	26.3

